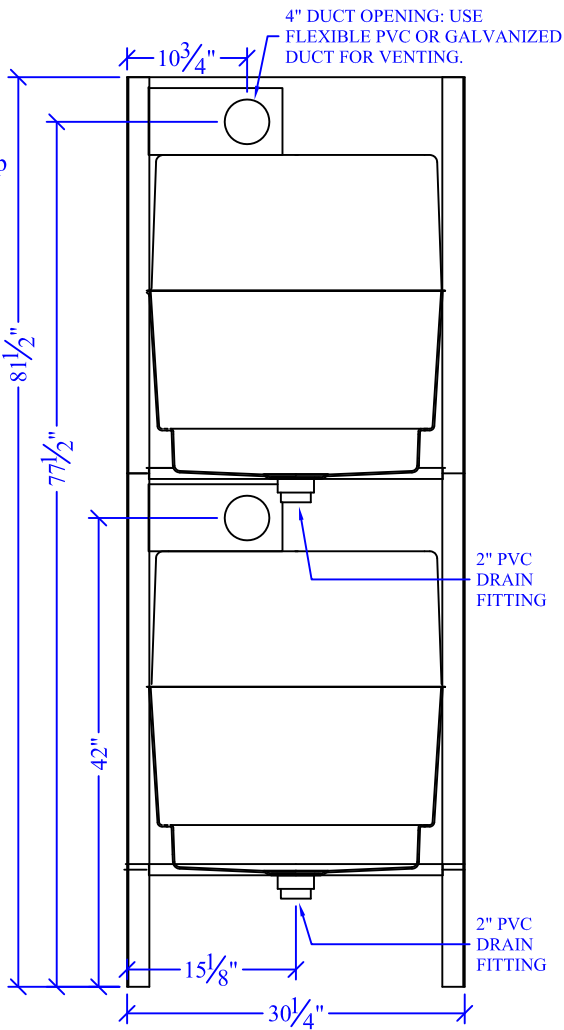
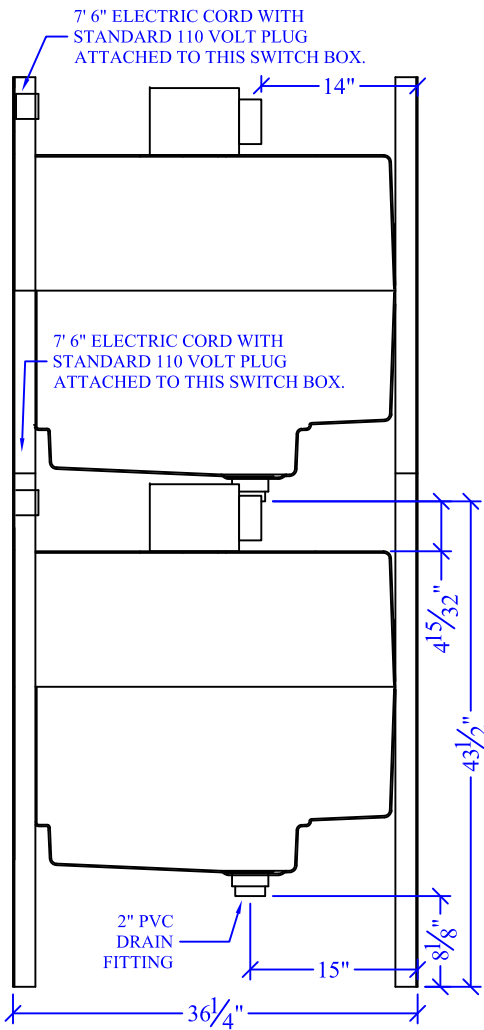


ISO-CARE DETAILS

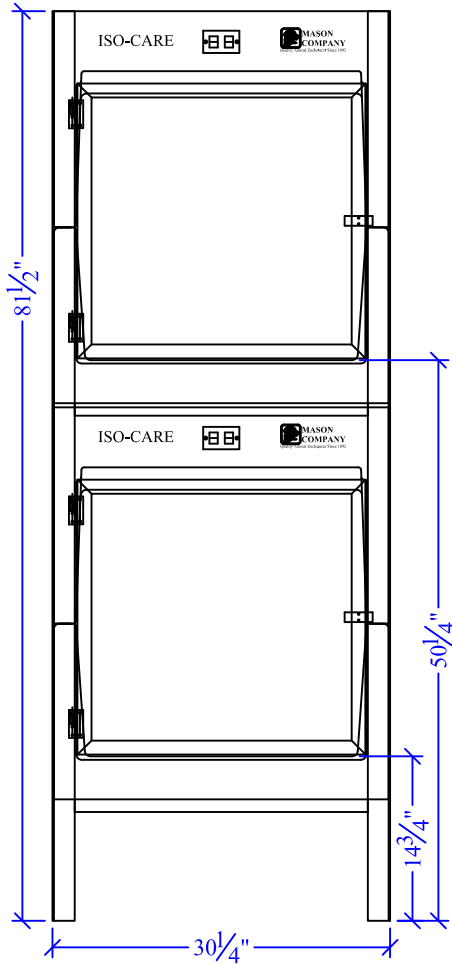
BACK VIEW



SIDE VIEW



FRONT VIEW



- FAN SPECIFICATIONS:**
- *50 CFM, 2.5 SONES--(Bathroom fan up to 45 square feet).
 - *100 WATT LIGHT BULB - Type IC
 - *PLUG-IN, PERMANENTLY LUBRICATED MOTOR.
 - *UL LISTED FOR USE OVER BATHTUBS & SHOWERS (When connected to a GFCI protected branch circuit).
 - *REQUIRES 15 AMP CIRCUIT
- Housing: 8"x8¹/₄" x5³/₄" high.

STANDARD;
RIGHT HAND DOORS